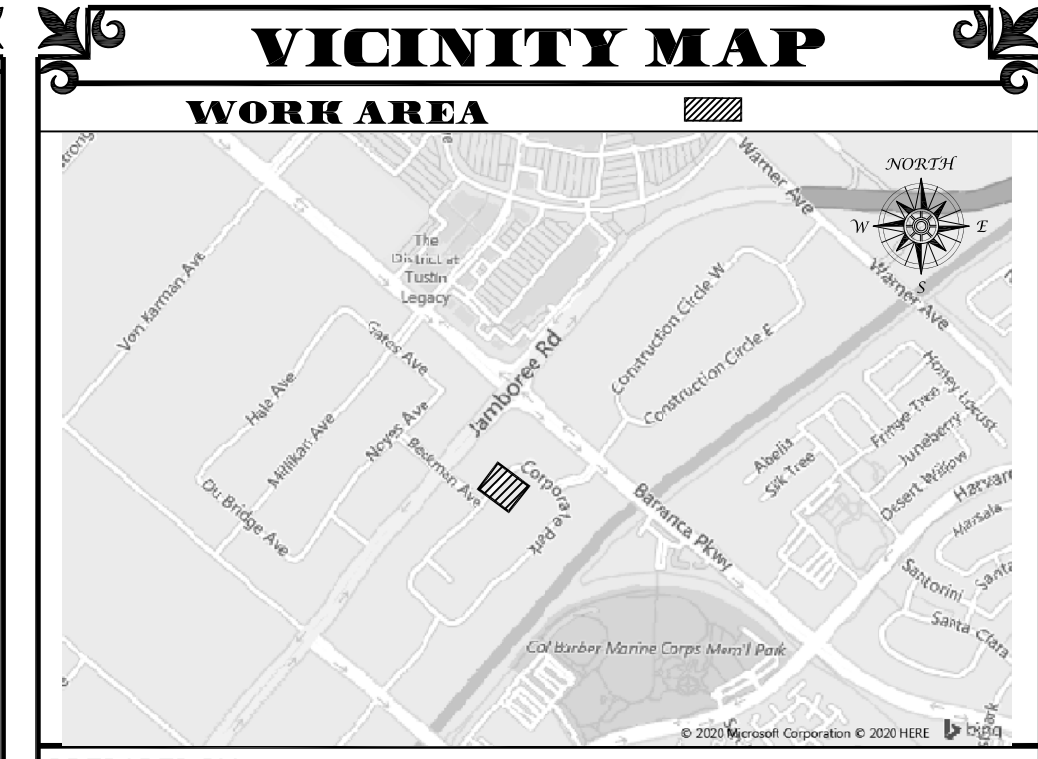
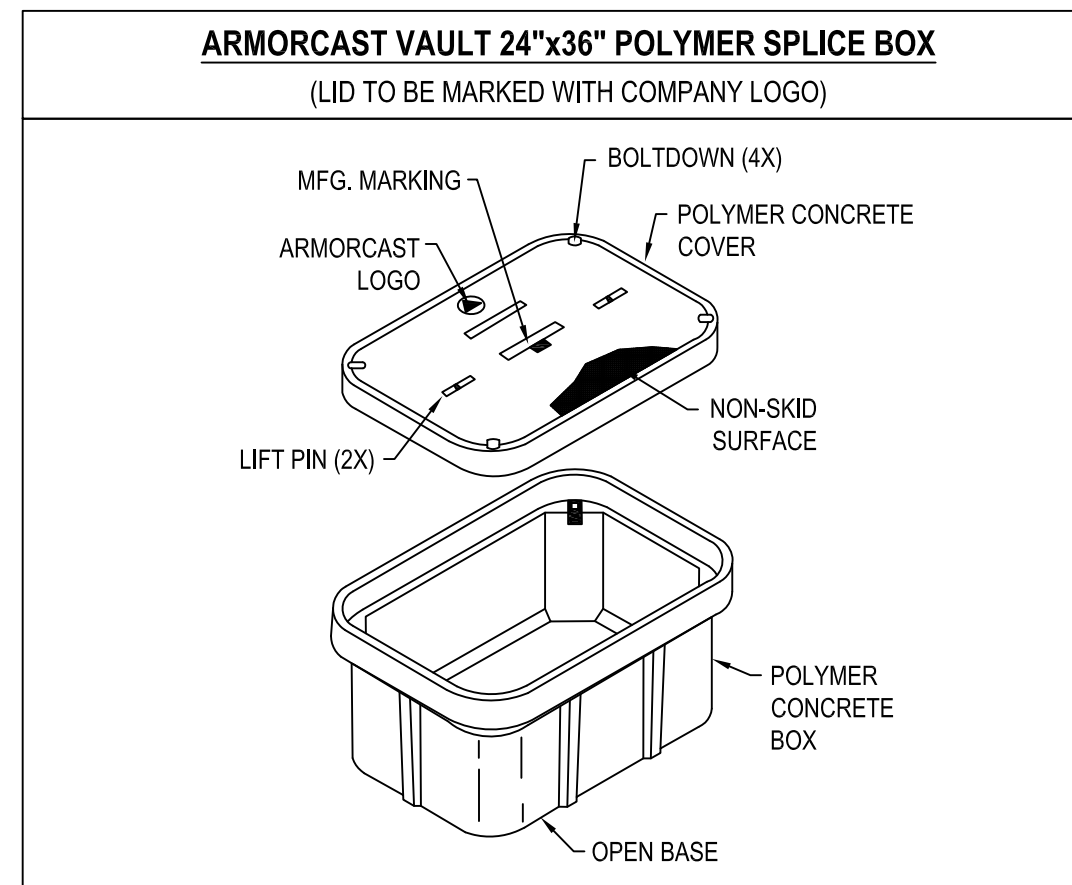
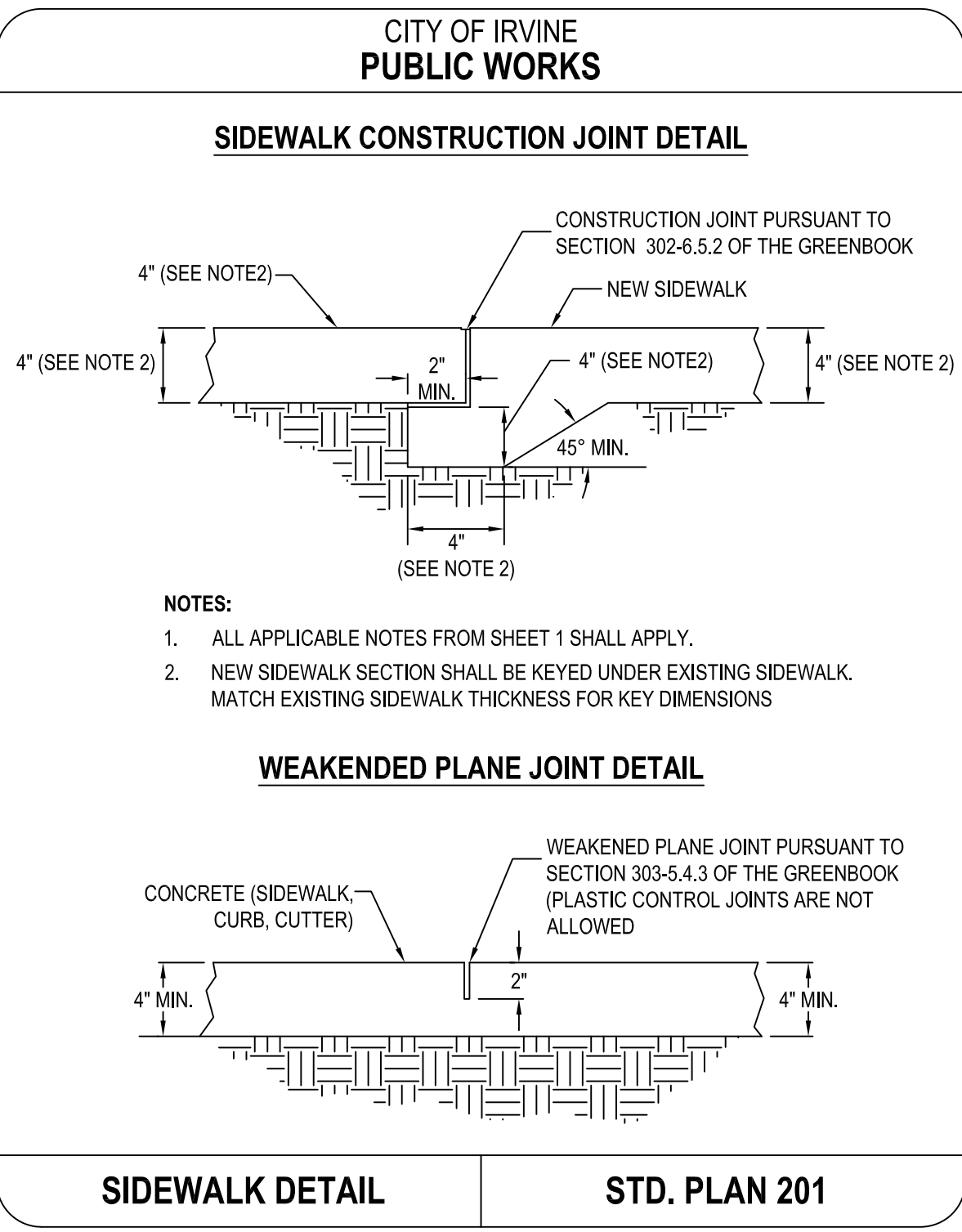
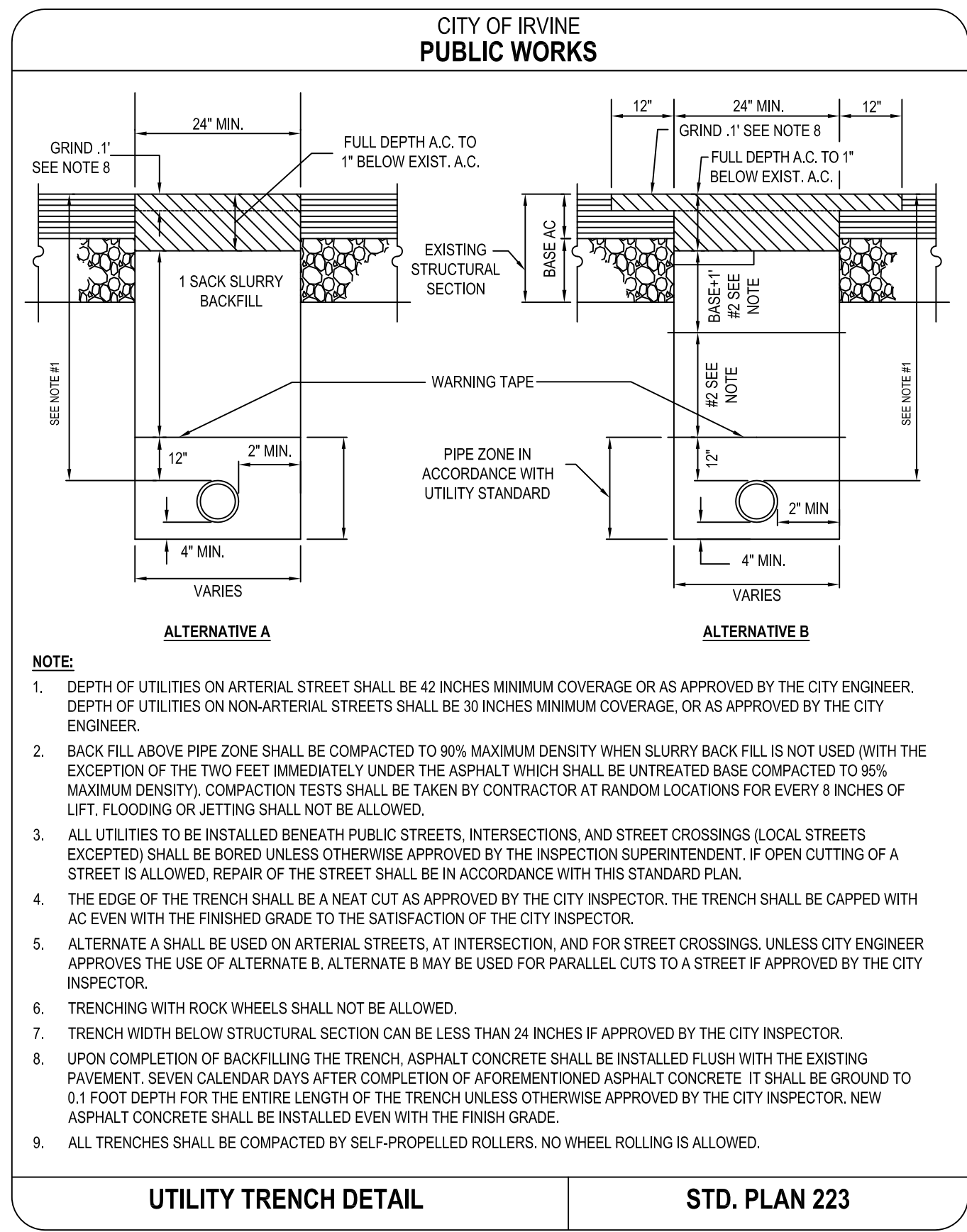
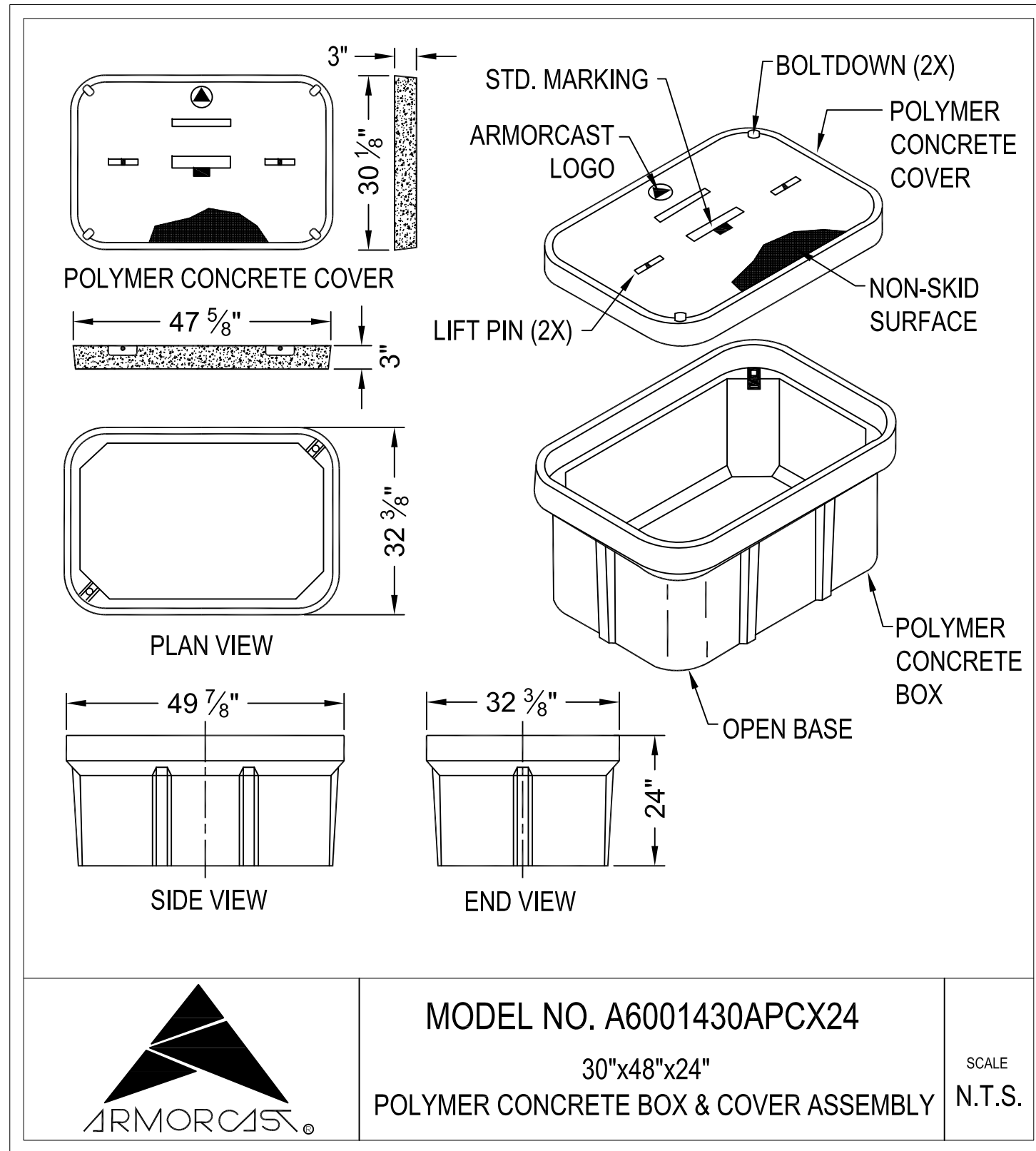
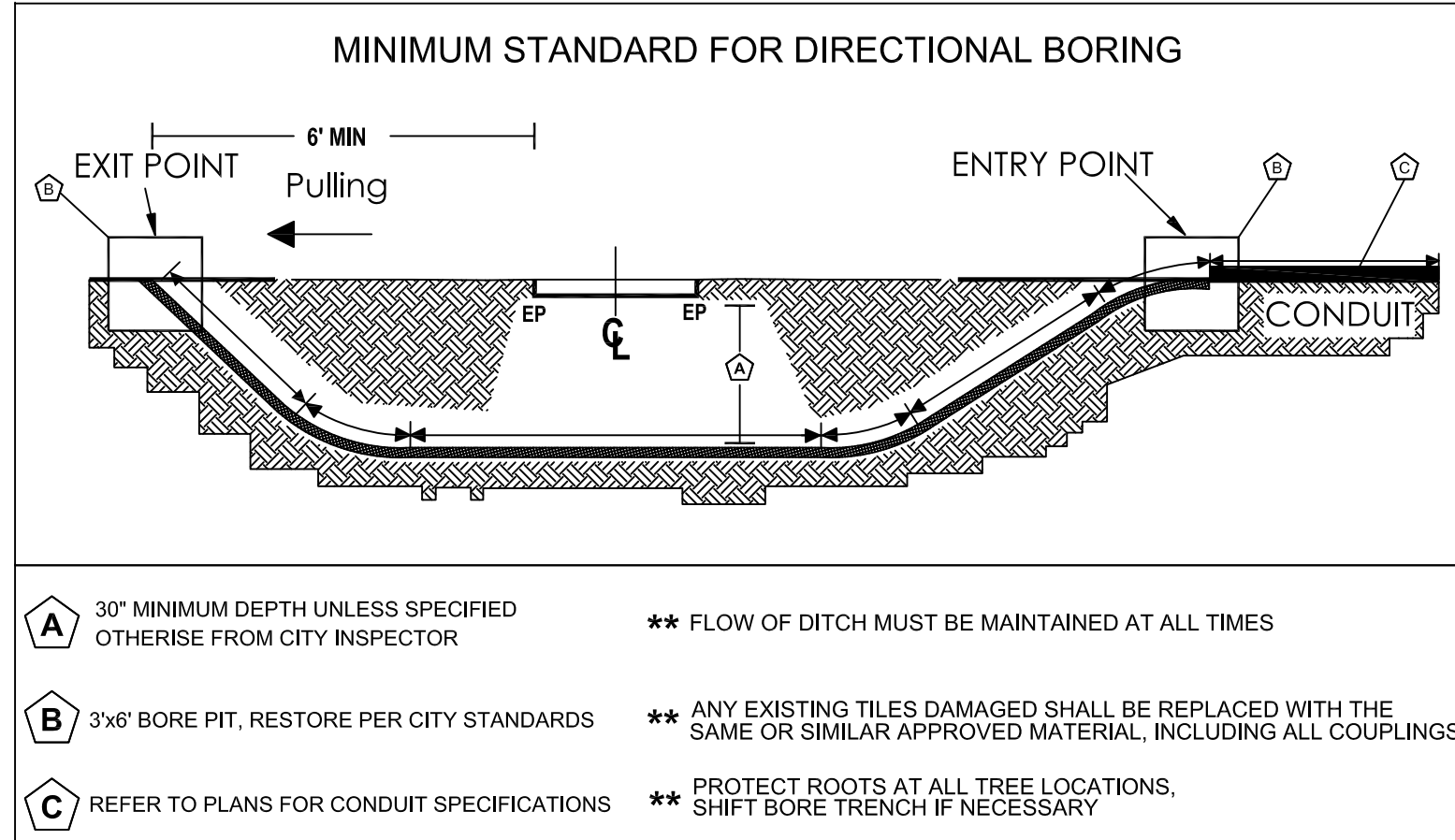
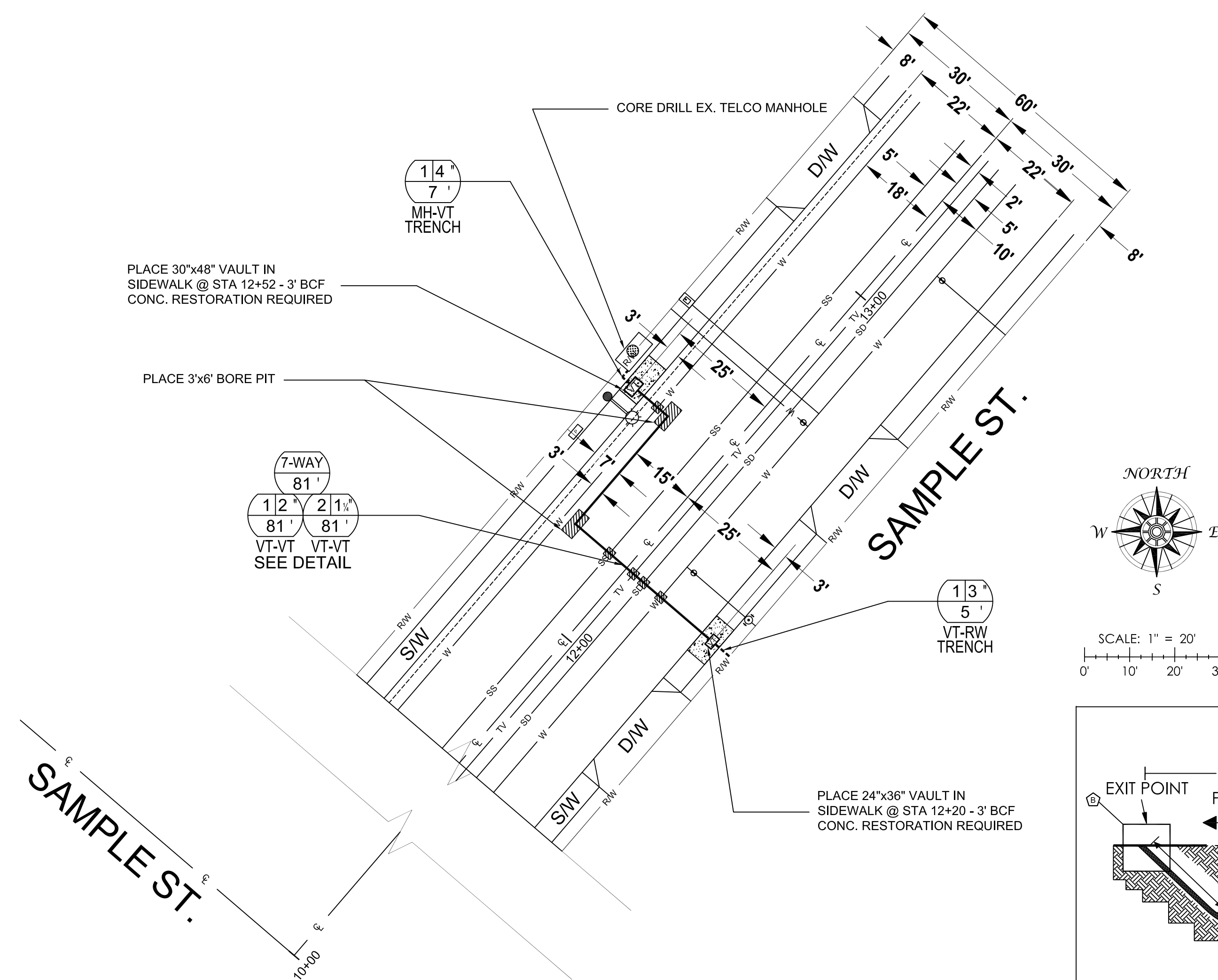


**CITY OF IRVINE  
GENERAL NOTES**

- ALL WORK SHALL CONFORM TO THE MOST CURRENT EDITION OF THE STANDARD SPECIFICATIONS FOR PUBLIC WORKS CONSTRUCTION, CITY OF IRVINE STANDARD DRAWINGS, CITY OF IRVINE STANDARD SPECIFICATIONS, THE UNIFORM BUILDING CODE, THE WORK AREA TRAFFIC CONTROL HANDBOOK (W.A.T.C.H. MANUAL), CALTRANS STANDARD SPECIFICATIONS, ADA, CALIFORNIA MUTCD AND TITLE 24.
- THE CONTRACTOR SHALL TELEPHONE THE CITY OF IRVINE INSPECTIONS (949) 724-6500 AND THE CITY OF IRVINE TRAFFIC OPERATIONS (949) 724-7649, AT LEAST TWO WORKING DAYS (48 HOURS) PRIOR TO STARTING CONSTRUCTION.
- ALL UNDERGROUND FACILITIES SHALL BE INSTALLED PRIOR TO SURFACING OF STREETS. THE INSTALLATION OF ALL UNDERGROUND FACILITIES CROSSING EXISTING ARTERIAL STREETS REQUIRES BORING OR JACKING, UNLESS OTHERWISE APPROVED BY THE CITY ENGINEER.
- ANY EXISTING PAVEMENT DISTURBED BY THE CONSTRUCTION OF UNDERGROUND INSTALLATIONS SHALL BE COVERED BY A PERMIT ISSUED BY THE CITY OF IRVINE.
- IT SHALL BE THE CONTRACTOR'S RESPONSIBILITY TO ARRANGE FOR AND COORDINATE THE RELOCATION OF ANY EXISTING UTILITIES DEEMED NECESSARY BY THE PROPOSED IMPROVEMENT.
- WHENEVER IT BECOMES NECESSARY TO TUNNEL UNDER EXISTING IMPROVEMENTS, THE CONTRACTOR SHALL SUPPORT THOSE IMPROVEMENTS IN A MANNER APPROVED BY THE CITY ENGINEER, OR THE CONTRACTOR SHALL SAWCUT, REMOVE AND REPLACE THOSE IMPROVEMENTS IN ACCORDANCE WITH THE CITY OF IRVINE STANDARD DRAWINGS.
- IT SHALL BE THE CONTRACTOR'S RESPONSIBILITY TO LOCATE AND STAMP THE CURB ON EACH SIDE OF THE STREET WITH THE APPROPRIATE LETTER: "E" FOR EDISON, "T" FOR TELEPHONE, ETC., WHEREVER UNDERGROUND FACILITIES CROSS A STREET.
- PRIOR TO PLACING OF UNDERGROUND UTILITIES, THE LOCATION OF ALL UNDERGROUND FACILITIES (ELECTRICAL, TELEPHONE, CABLE TV, GAS, ETC.) SHALL BE ADDED TO IMPROVEMENT PLANS.
- IT SHALL BE THE CONTRACTOR'S RESPONSIBILITY TO VERIFY THE LOCATION OF ALL EXISTING UNDERGROUND UTILITIES (BY POTHOLING OR OTHER MEANS). CONTRACTORS SHALL NOTIFY UNDERGROUND SERVICE ALERT (U.S.A.) (800) 422-4133 AT LEAST TWO (2) WORKING DAYS PRIOR TO ANY EXCAVATION TO LOCATE EXISTING UTILITIES.
- ALL CONCRETE WORK AS SHOWN ON PLANS (CURB & GUTTER, STORM DRAIN, PIPE, MANHOLES, SIDEWALK, ETC.) SHALL BE EXTRA STRENGTH CONCRETE WITH 7 SACK TYPE II CEMENT OR 6 SACK TYPE V CEMENT, UNLESS DEEMED UNNECESSARY BY SULPHATE CONTENT TESTS AS APPROVED BY THE CITY OF IRVINE.
- CONTRACTOR SHALL OBTAIN ANY REQUIRED O.S.H.A. PERMITS PRIOR TO ANY EXCAVATIONS.
- ARROW BOARDS SHALL BE USED ON ANY LANE CLOSURES ON ARTERIAL STREETS.
- SLURRY BACKFILL SHALL BE REQUIRED WHEN TUNNELING UNDER CURB AND GUTTER. SLURRY BACKFILL IS REQUIRED AROUND ALL MANHOLE CONSTRUCTION WITHIN PAVED STREETS.
- THE FOLLOWING SIGN SHALL BE POSTED AT ALL STREET INTERSECTIONS AND TRACT ENTRANCES. MAINTENANCE OF THIS STREET AND RIGHT-OF-WAY AND IS THE DEVELOPER'S RESPONSIBILITY.
- STREET CONSTRUCTION AND IMPROVEMENTS SHALL NOT BE OPENED FOR PUBLIC USE UNTIL ACCEPTED BY THE CITY.
- ALL IMPROVEMENTS AND TRAFFIC SIGNAL WORK WITHIN THE STATE RIGHT-OF-WAY SHALL CONFORM TO CURRENT CALTRANS STANDARD SPECIFICATIONS.
- CONTRACTOR SHALL VERIFY ALL EXISTING CONDITIONS AND DIMENSIONS BEFORE STARTING WORK. SHOULD CONDITIONS EXIST WHICH ARE CONTRARY TO THOSE SHOWN ON PLANS, THE DESIGN ENGINEER SHALL BE NOTIFIED BEFORE PROCEEDING WITH WORK.
- ALL WORK SHALL CONFORM TO THE PLANS AND SPECIFICATIONS IN ALL RESPECTS AND SHALL BE SUBJECT TO APPROVAL BY THE CITY'S INSPECTOR.
- PURSUANT TO SECTION 8771 OF THE BUSINESS AND PROFESSIONS CODE, EXISTING SURVEY MONUMENTS SHALL BE NOTED AND DOCUMENTED BEFORE CONSTRUCTION. IF MONUMENTS ARE DISTURBED DURING CONSTRUCTION, THE CONTRACTOR SHALL PAY A LICENSED LAND SURVEYOR OR REGISTERED CIVIL ENGINEER TO RESET SUCH MONUMENTS, UNLESS OTHERWISE SPECIFIED OR DESIGNATED.
- CONSTRUCTION ACTIVITIES MAY OCCUR BETWEEN 7:00 A.M. AND 7:00 P.M. MONDAYS THROUGH FRIDAYS, AND 9:00 A.M. AND 6:00 P.M. ON SATURDAYS. NO CONSTRUCTION ACTIVITIES SHALL BE PERMITTED OUTSIDE OF THESE HOURS OR ON SUNDAYS AND FEDERAL HOLIDAYS UNLESS A TEMPORARY WAIVER IS GRANTED BY THE CHIEF BUILDING OFFICIAL OR HIS OR HER AUTHORIZED REPRESENTATIVE.
- NO WORK MAY OCCUR ON ARTERIAL STREETS BEFORE 9:00 A.M. OR CONTINUE AFTER 3:00 P.M. UNLESS A TEMPORARY WAIVER IS GRANTED BY THE CHIEF BUILDING OFFICIAL OR HIS OR HER AUTHORIZED REPRESENTATIVE.

**CLIENT NAME**  
**PROJECT TITLE**  
**ADDRESS, CITY, STATE, ZIP**

- CROWN CASTLE SOW:**
- INSTALL (1) 30"x48" CUSTOMER VAULT
  - INSTALL (1) 24"x36" CUSTOMER VAULT
  - INSTALL 7" (1) - 4" CONDUIT VIA HAND DIG
  - INSTALL 81" (2) - 2" CONDUITS VIA DIRECTIONAL BORE
  - INSTALL 5" (1) - 3" CONDUIT VIA HAND DIG
- TOTAL UG EXCAVATION: 93'



PREPARED BY:  
**O-S-Pro**  
*Telecom Solutions, LLC*  
2001 THIRD ST #H, RIVERSIDE, CA 92507  
(626) 320-0996 | peterm@ospros.net

**LEGEND**

**PROPOSED WORK**

SYMBOL/LINETYPE	DESCRIPTION
[Symbol]	CONCRETE RESTORATION
[Symbol]	ASPHALT RESTORATION
[Symbol]	PROPOSED TRENCH CENTERLINE
[Symbol]	PROPOSED DIRECTIONAL BORE
[Symbol]	DESIGN SUBMITTED TO ANOTHER AGENCY
[Symbol]	PROPOSED UNDERGROUND VAULT
[Symbol]	POT HOLE
[Symbol]	BORE / RECEIVE PIT

**EXISTING STRUCTURES**

SYMBOL/LINETYPE	ABV.	DESCRIPTION
[Symbol]	POLE	UTILITY POLE
[Symbol]	MH	MANHOLE
[Symbol]	HH	HAND HOLE
[Symbol]	PED	PEDESTAL
[Symbol]	F/H	FIRE HYDRANT
[Symbol]	VLV	VALVE
[Symbol]	TS	TRAFFIC SIGNAL
[Symbol]	SL	STREET LIGHT
[Symbol]	VNT	VENT
[Symbol]	MTR	WATER METER
[Symbol]	TR	BOLLARD
[Symbol]		TREE

**EXISTING UTILITIES**

SYMBOL/LINETYPE	DESCRIPTION
[Symbol]	STREET LIGHT CONDUIT
[Symbol]	ELECTRIC
[Symbol]	TELEPHONE
[Symbol]	GAS
[Symbol]	STORM DRAIN
[Symbol]	SANITARY SEWER
[Symbol]	WATER
[Symbol]	CATV
[Symbol]	TRAFFIC CONDUIT
[Symbol]	COMM

**MISC. LINETYPES**

SYMBOL/LINETYPE	ABV.	DESCRIPTION
[Symbol]	C/L	CENTER LINE
[Symbol]	R/W	RIGHT OF WAY
[Symbol]	P/L	PROPERTY LINE
[Symbol]	EOP	EDGE OF PAVEMENT
[Symbol]	FOC	FRONT OF CURB
[Symbol]	C&G	CURB & GUTTER
[Symbol]	R/R	RAILROAD

**MISC. ABBREVIATIONS**

ABBREV.	DESCRIPTION
BCF	BEHIND CURB FACE
FCF	FRONT OF CURB FACE
CONC.	CONCRETE
EX	EXISTING
U/G	UNDERGROUND
S/W	SIDEWALK
D/W	DRIVEWAY
PL	PLACE (INSTALL NEW)

**NOTICE TO CONTRACTORS**

THE EXISTENCE AND LOCATION OF ALL UNDERGROUND UTILITIES SHOWN HERE WERE OBTAINED BY A SEARCH OF AVAILABLE RECORDS. CONTRACTOR IS REQUIRED TO LOCATE AND POT HOLE ALL EXISTING UTILITY CROSSINGS PRIOR TO CONSTRUCTION.

**DIGALERT**  
CALL TOLL FREE  
48 HOURS BEFORE YOU DIG  
UNDERGROUND SERVICE ALERT  
PHONE NO. 811

**CONSTRUCTION PLAN**

CLIENT NAME	DRAWN	OSPROS
CLIENT ADDRESS	DESIGN	OSPROS
CITY, STATE, ZIP	CHECKED	OSPROS
PROJECT TITLE	DATE	XX/XX/2020
PROJECT ADDRESS		
CITY, STATE, ZIP		
	1	1
PROJECT #	TRACKING #	REV
XXXXXXX	XXXXXXXXXXXXXXXXXXXX	0